



PH: 314-566-1008

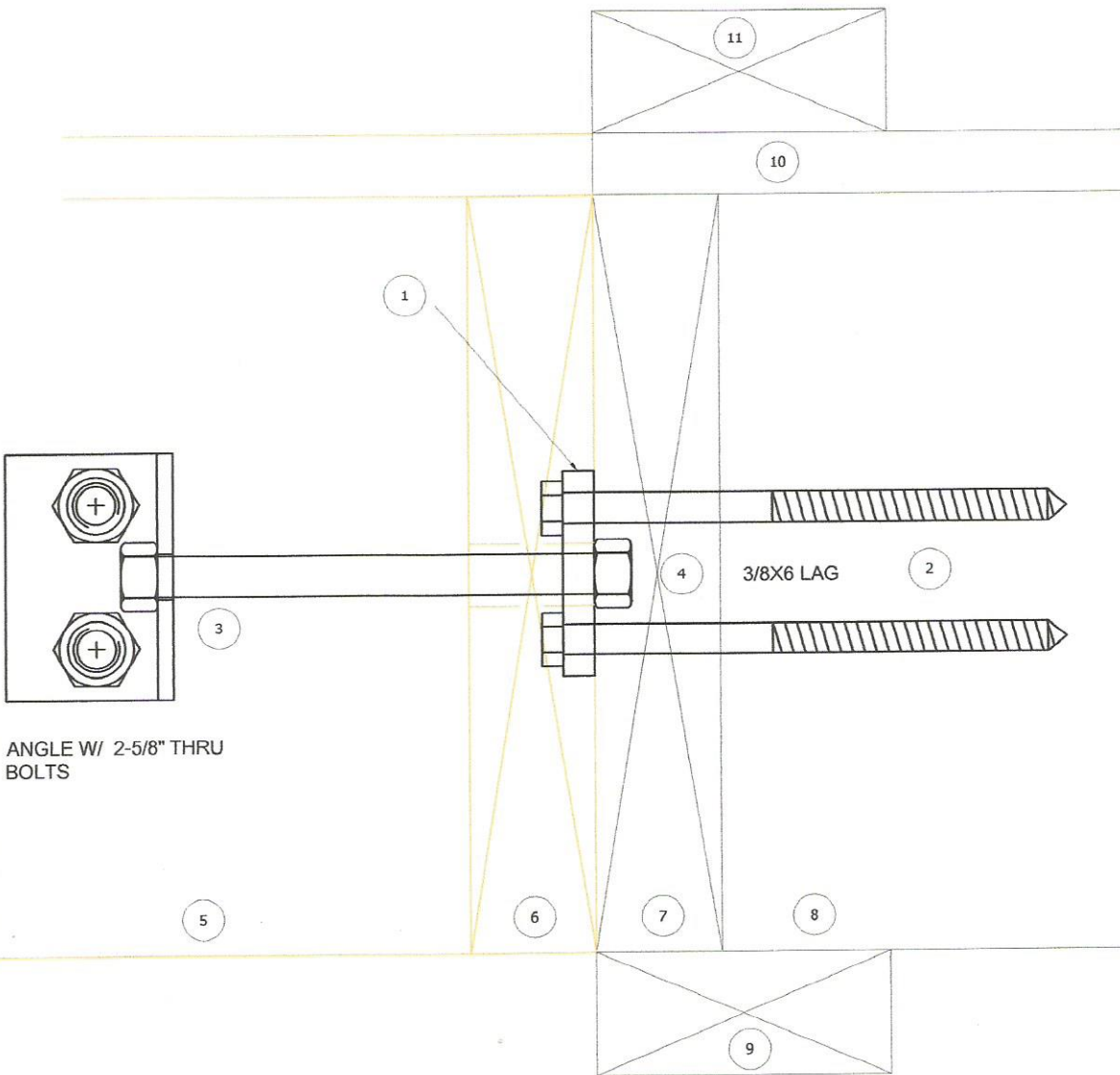
WWW.DECK-CON.COM

NON-INVASIVE ALTERNATIVE TO THE 1500 LBS DECK TO HOUSE CONNECTION
ELIMINATES GOING INSIDE THE HOME FOR CONNECTION*

PATENT PENDING

ONE OF TWO CONNECTIONS, SIDE VIEW

* W/ DIMENSIONAL LUMBER AND HOUSE FLOOR
JOISTS PARALLEL TO DECK JOISTS



- 1 DECK-CON PLATE
- 2 LAG SCREWS INTO END OF HOUSE JOIST
- 3 THREADED ROD*, THRU DECK LEDGER, ATTACH TO DECK JOIST W/ ANGLE AND 5/8" BOLTS
- 4 NUT
- 5 DECK JOIST
- 6 DECK LEDGER
- 7 HOUSE BAND JOIST
- 8 HOUSE JOIST
- 9 HOUSE SILL PLATE (S) OR DOUBLE TOP PLATES OF LOWER WALL
- 10 HOUSE SUB-FLOOR, GLUED, NAILED PER IRC
- 11 HOUSE WALL SOLE PLATE
- 12 DECKING

ANGLE W/ 2-5/8" THRU BOLTS

3/8X6 LAG

*FOR HOUSES W/ BRICK VENEER, A LONGER THREADED HDG ROD NEEDS TO BE PURCHASED